

FABRIK
Halo

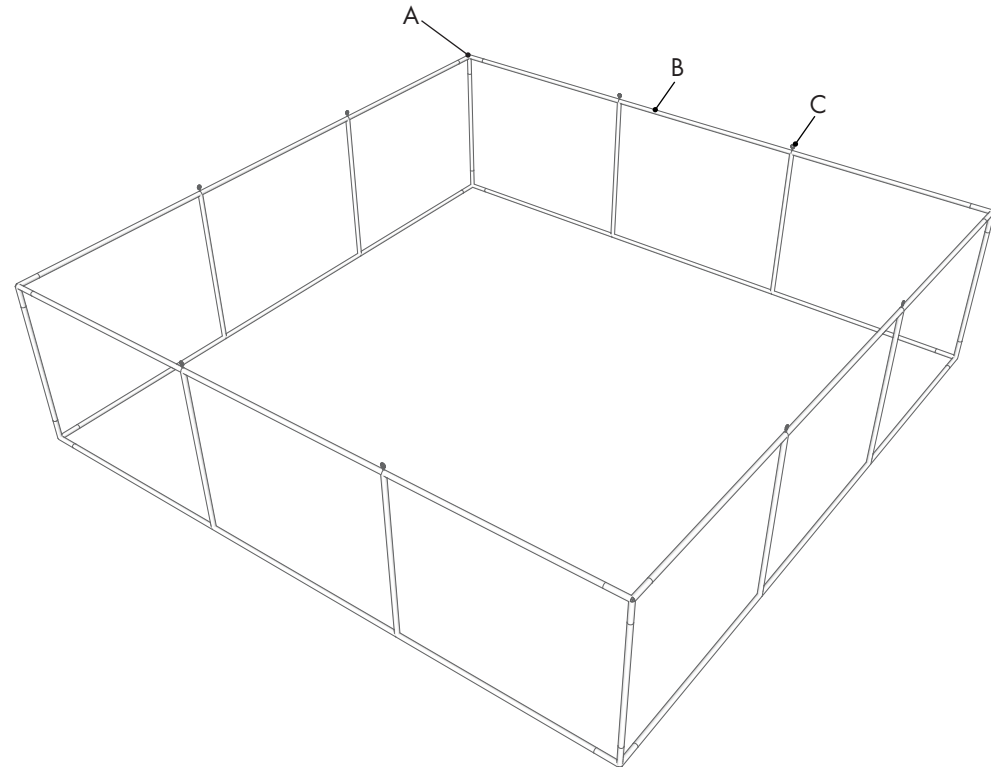
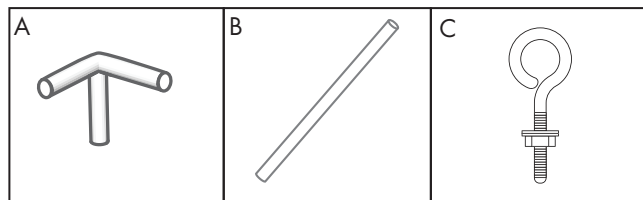
Square Halo

Square Halo

Assembly and Installation
Instructions

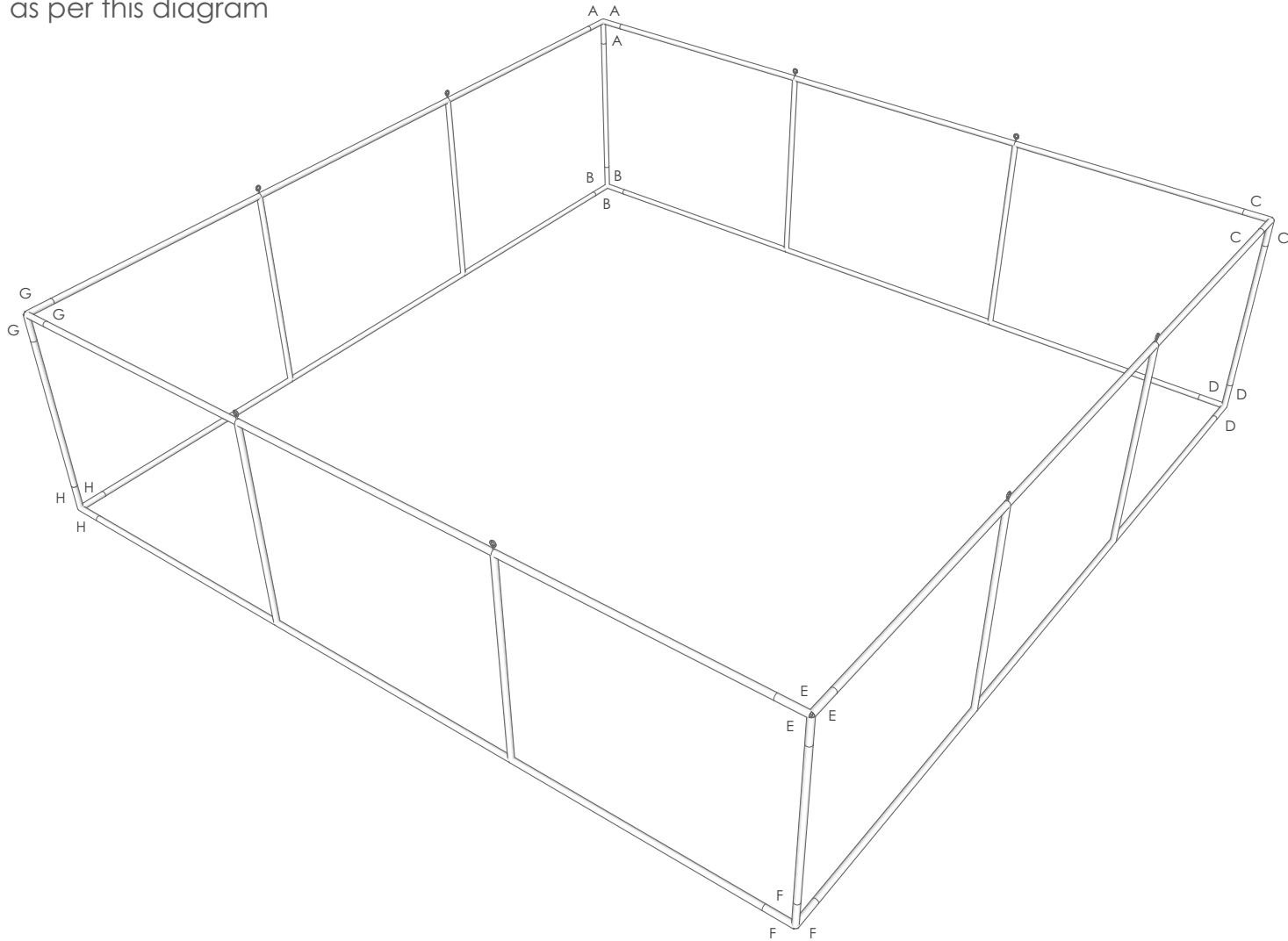
01 Component List

	DESCRIPTION
A	Corner connector tube
B	Metal tube
C	Eye bolt



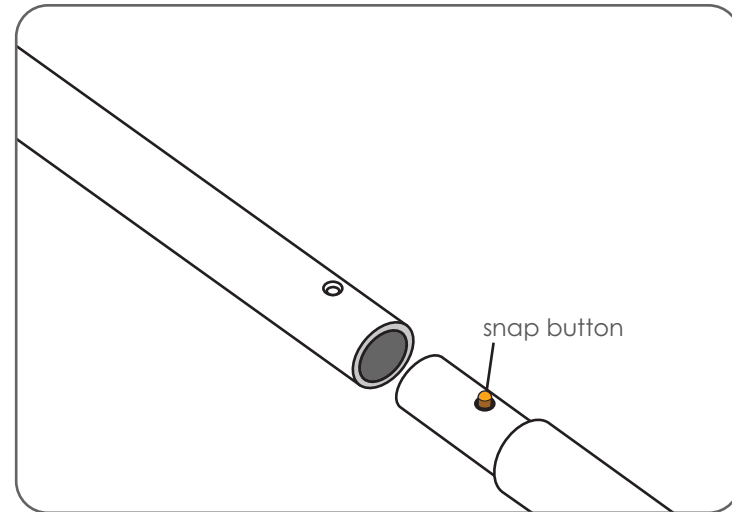
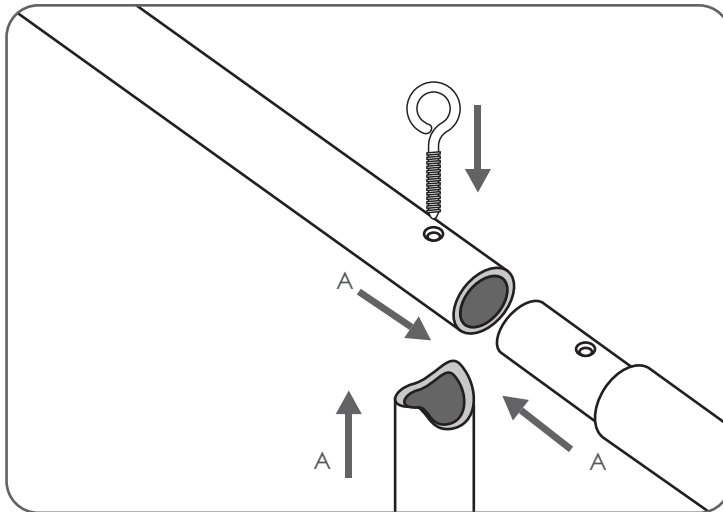
02 Assembly

Each junction has a unique label,
match as per this diagram



03 Parts Detail

shomi! pipeline halos are produce with swaged aluminum tubing so that one tube "nests" into another. It also features a spring button.



04 Install Fabric

