

FABRiK

Smart Stand

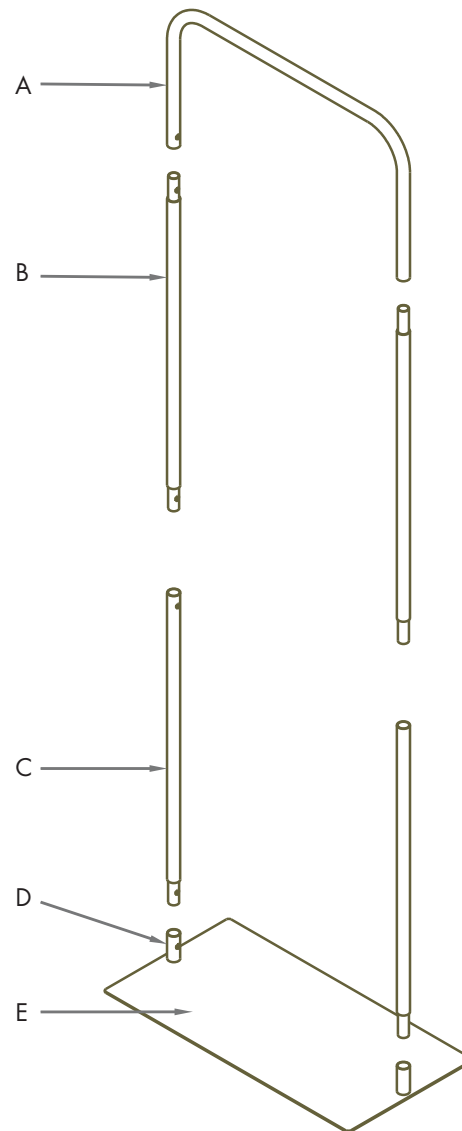


Smart Stand

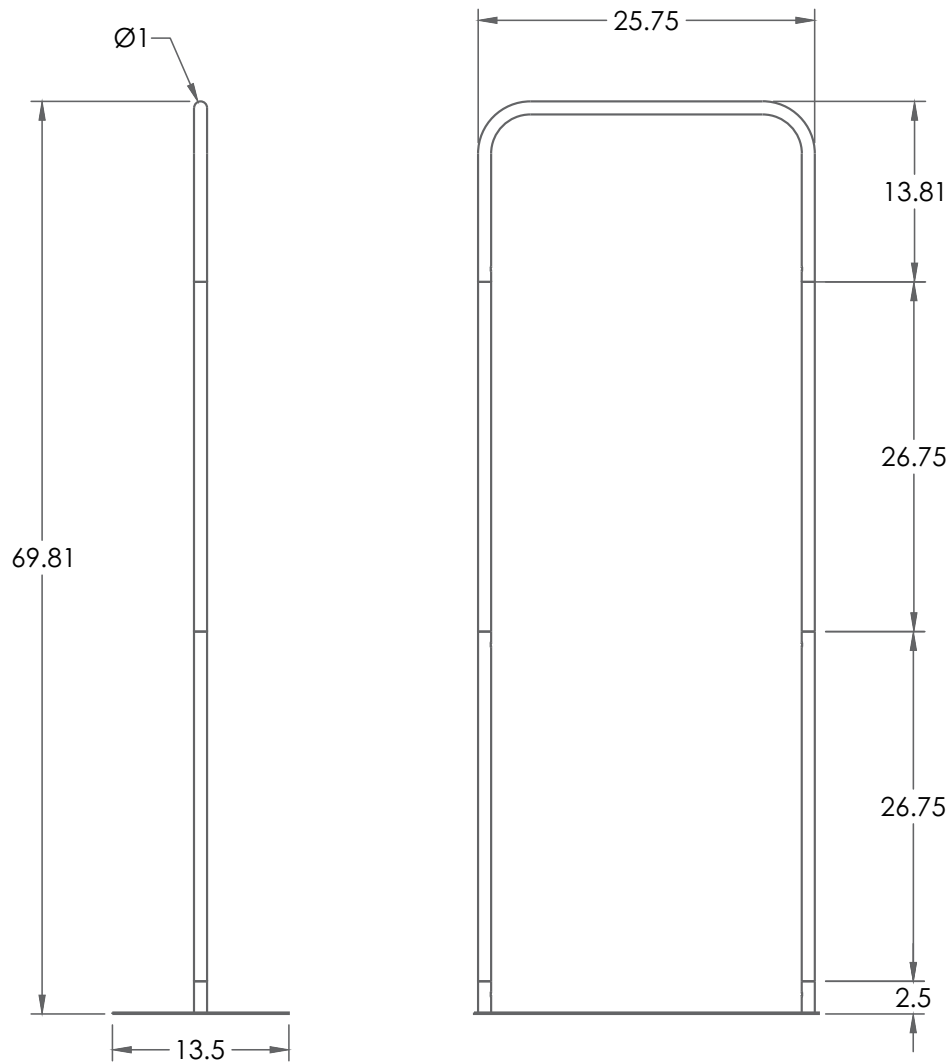
Assembly and Installation
Instructions

01 Component List

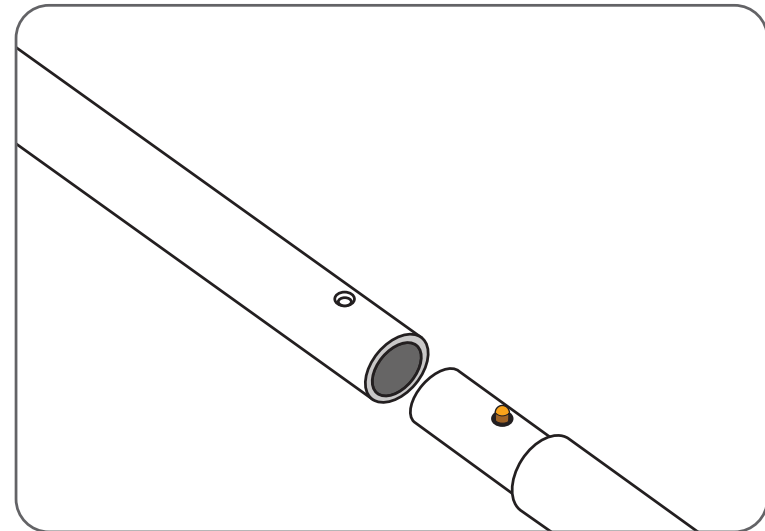
	DESCRIPTION
A	Top header tube
B	Middle straight tube
C	Bottom straight tube
D	Spigot
E	Base



02 Assembly



Snap metal poles together as per the diagram on the left, then snap into base.



03 Install Fabric

Pull fabric over frame.

