

shōmi!

FRAMELESS

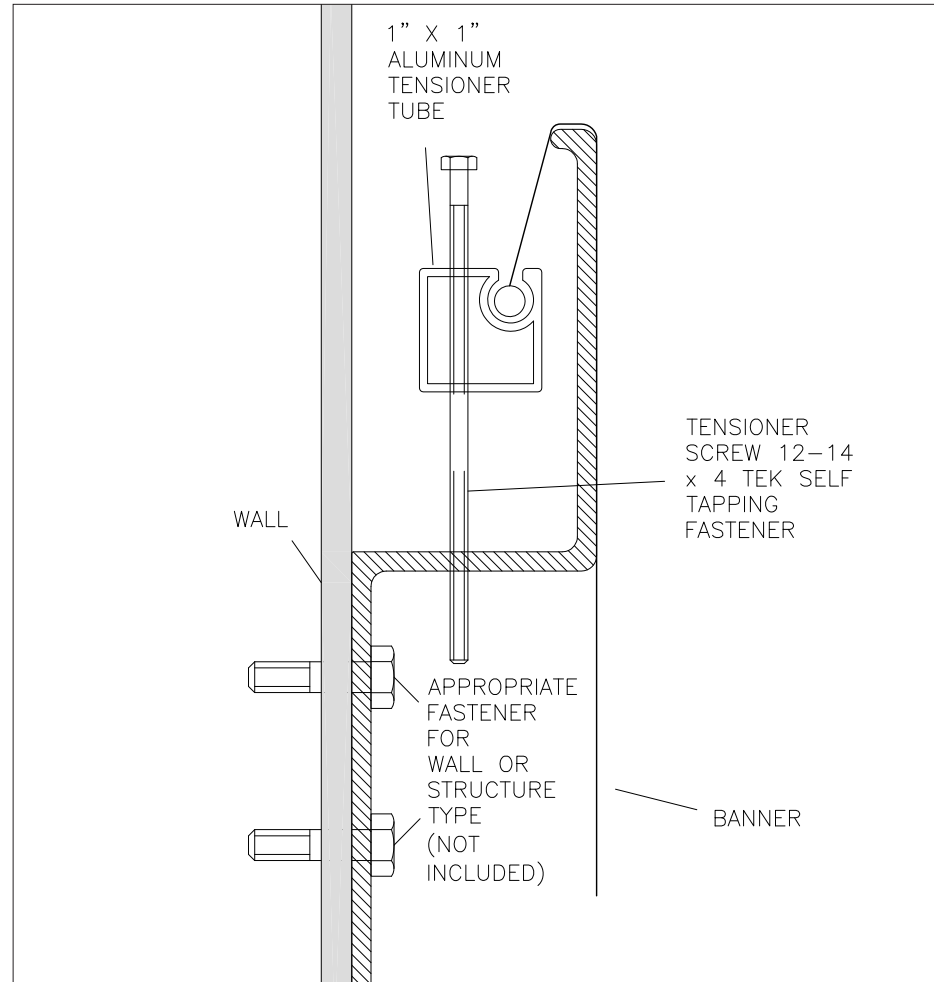
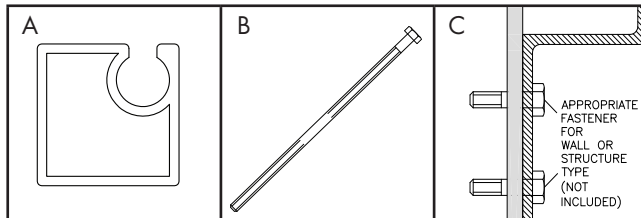


**Frameless Assembly
and Installation
Instructions**

01 component list

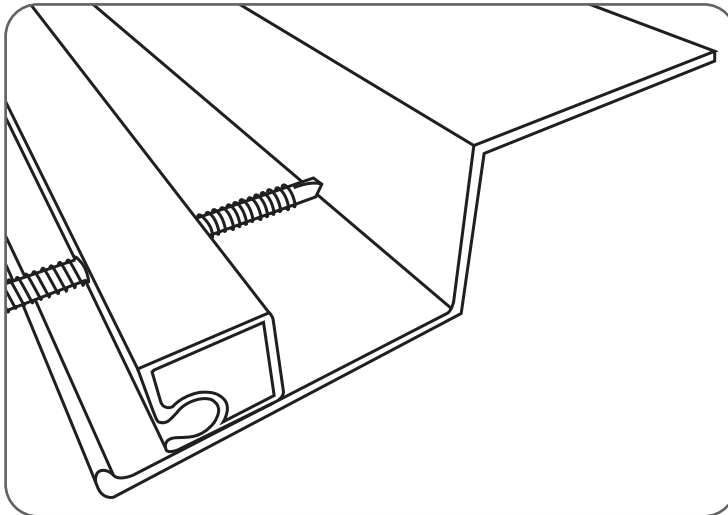
shōmi! FRAMELESS

	DESCRIPTION
A	1" x 1" Aluminum tensioner tube
B	Tensioner screw
C	Appropriate fasteners for walls (not included)



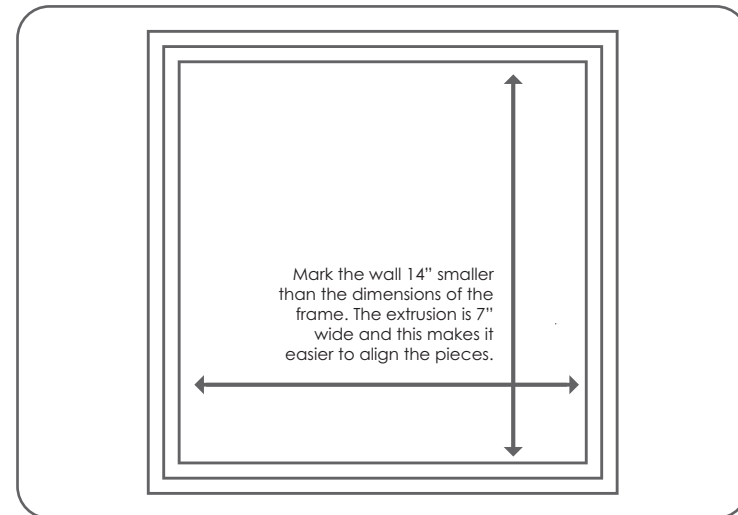
STEP 1

Drill pilot holes every 24" on the frameless extrusion before installing on the wall. Use the 1"x1" aluminum tensioner tube to figure out the spacing for the holes.



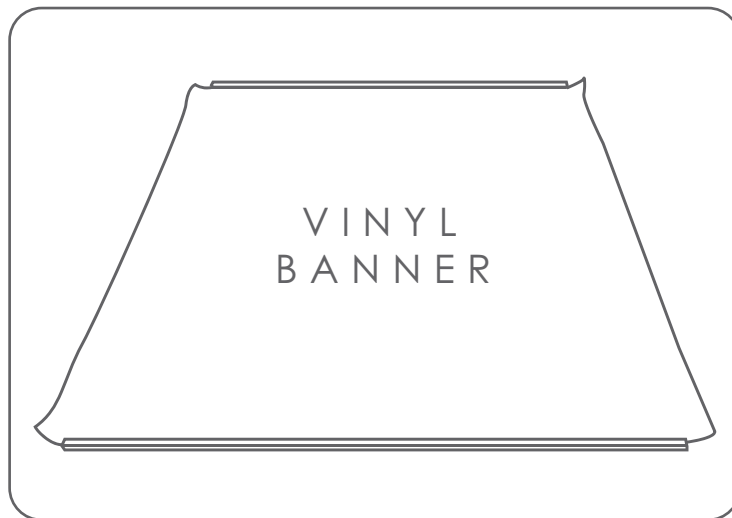
STEP 2

Install ONLY the frameless extrusion on the wall with appropriate fasteners. Leave the 1"x1" aluminum tensioner tube for later.



STEP 3

This is where you use the 1" x 1" Aluminum tensioner tubes. Open the banner on the ground face up and install the top and bottom 1" x 1" Aluminum tensioner tubes onto the banner. Pay attention to the orientation of the tensioner tubes.



Center the extrusion from either end of the banner.



IMPORTANT!

This is how the 1" x 1" aluminum tensioner tube needs to be put onto the banner.

04 Installation

shōmi! FRAMELESS

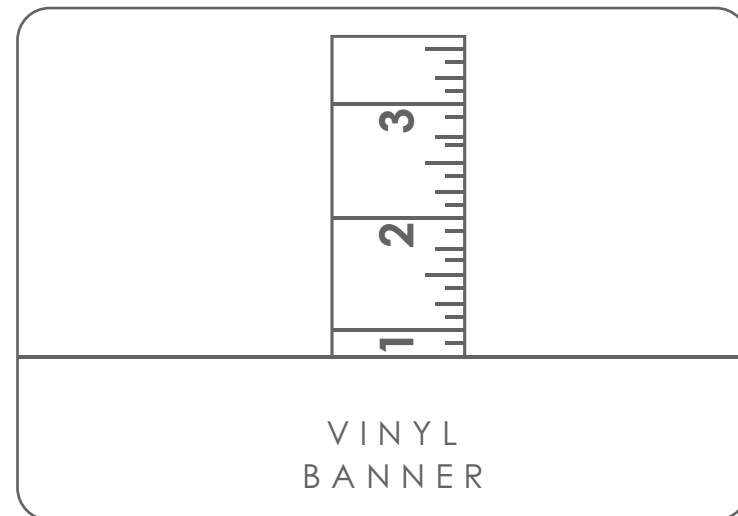
STEP 4

Fasten the top 1" x 1" aluminum tensioner tube rail to the top Frameless extrusion.



STEP 5

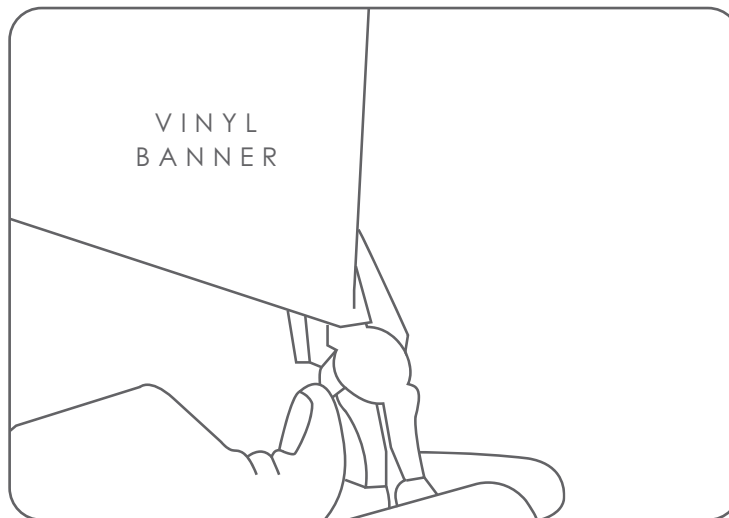
Slide the 1" x 1" aluminum tensioner tubes for the sides of the banner. Tighten each side to about 1" of depth, same as the top. Then install the bottom rail and begin to tighten all the fasteners evenly.



DO NOT COMPLETELY TIGHTEN THE TOP SCREWS. Set it in about 1" deep.

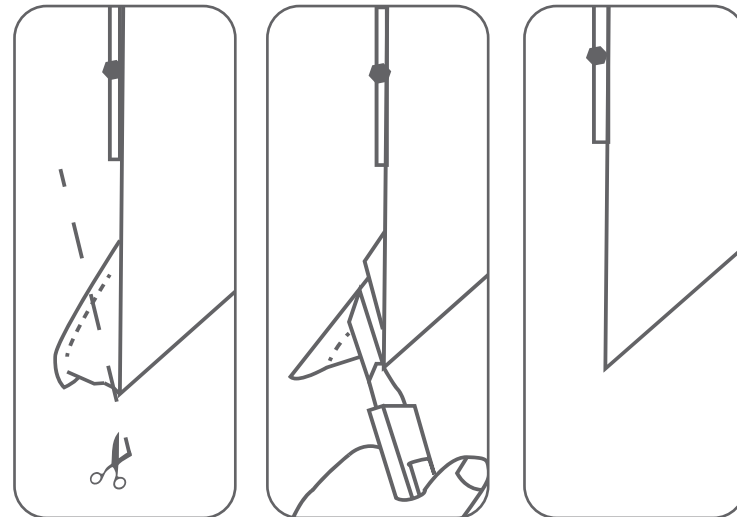
STEP 6

Here is a tip for nice at and tight corners - Grab both layers of the extra material on the back of the frame with a pair of pliers then twist the pliers so that the material is pulled to the corner, removing any wrinkles.



STEP 7

Once everything is tightened, the banner is aligned, you're happy and ready to leave, you can cut the excess material on the back of the corners. This is optional, as some installers leave them in place. Your call ;)



Un-trimmed
corner

Knife
Be careful!

Trimmed
corner