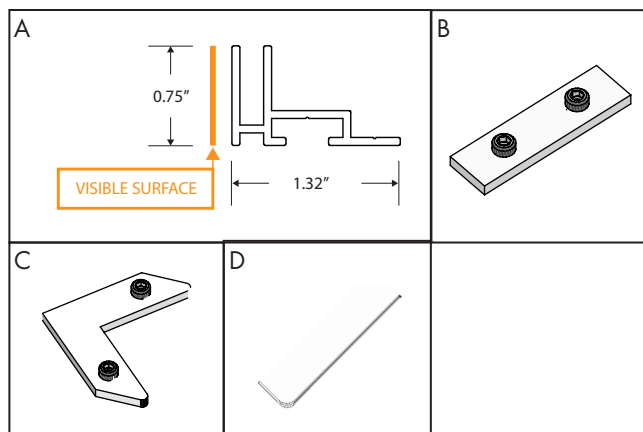


iMPAKT

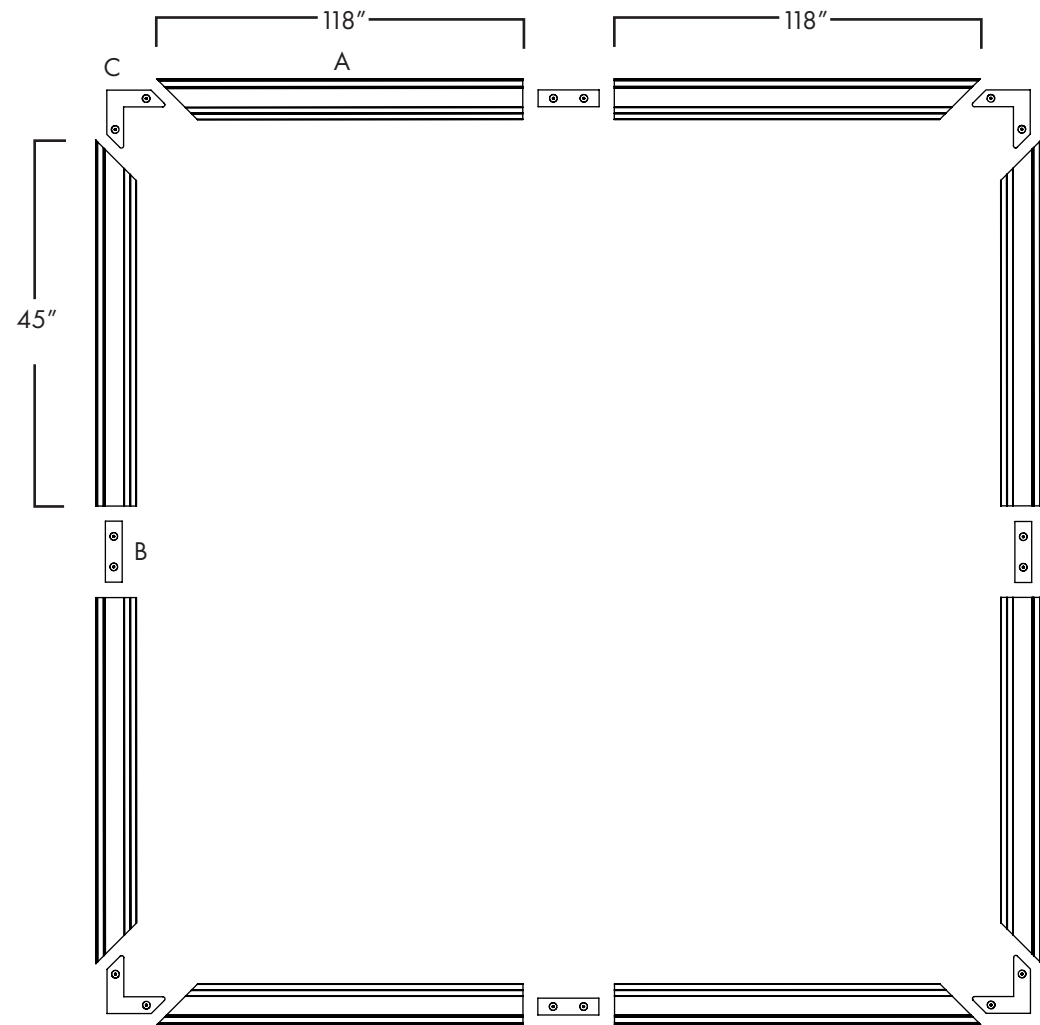
**.75 Inch SEG Fabric Frame
Assembly and Installation
Instructions**

01 Component List

	DESCRIPTION
A	Extrusion- .75 Inch SEG Fabric Lightbox
B	Straight connector x 4*
C	Corner connector- x 4
D	Hex / Allen Key 3mm *

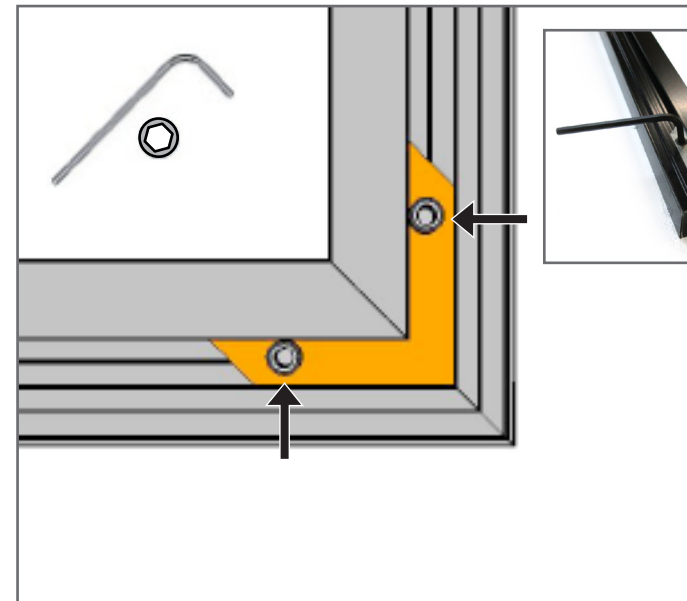
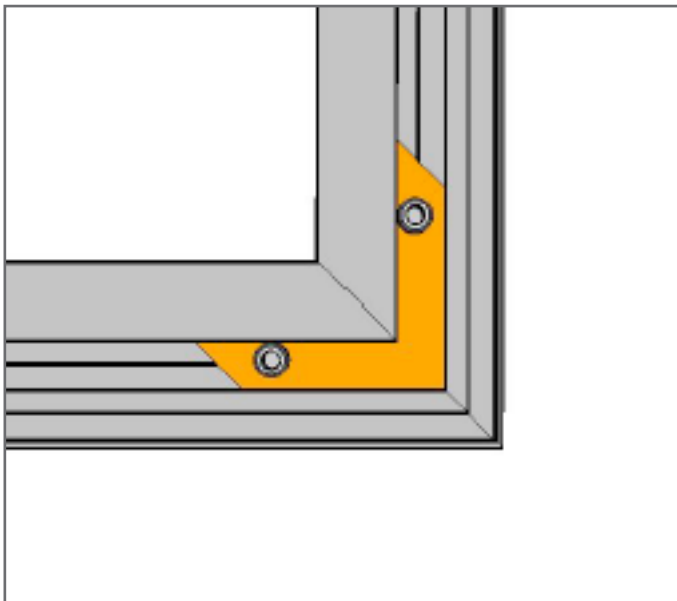
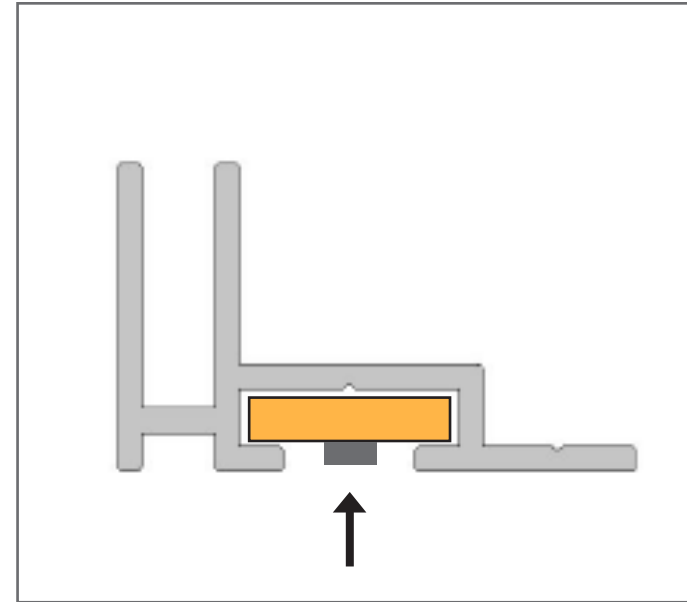
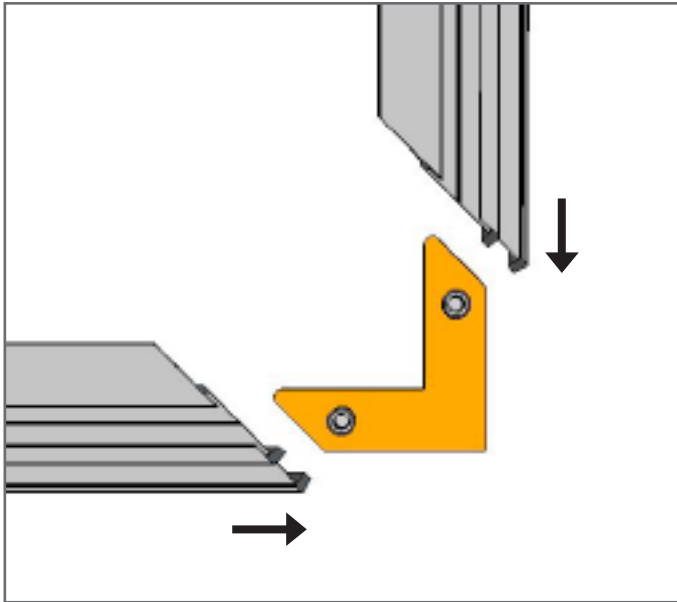


* Straight connectors are provided only when extrusions are cut down for shipping.

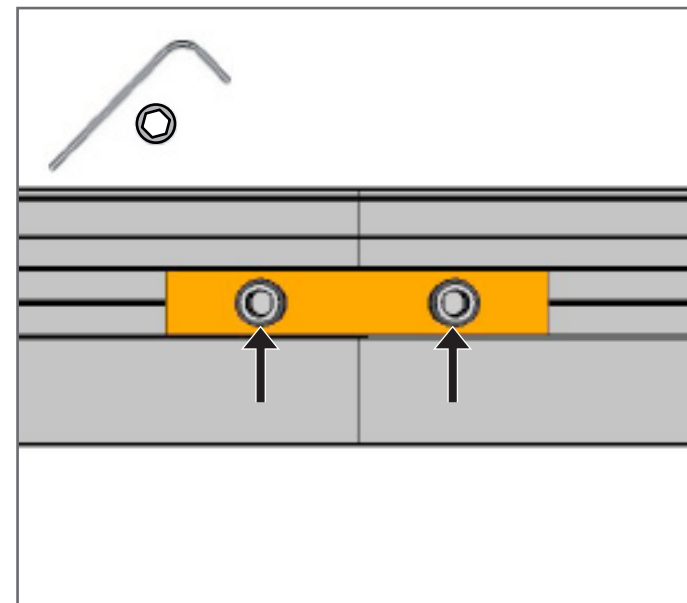
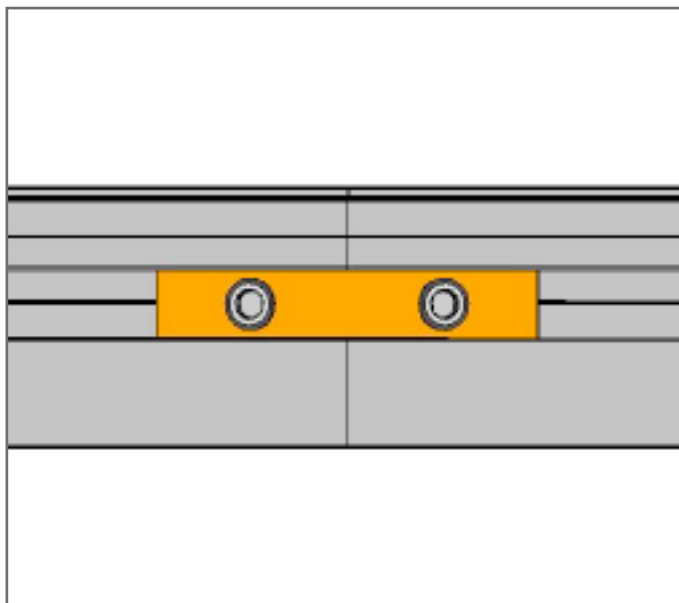
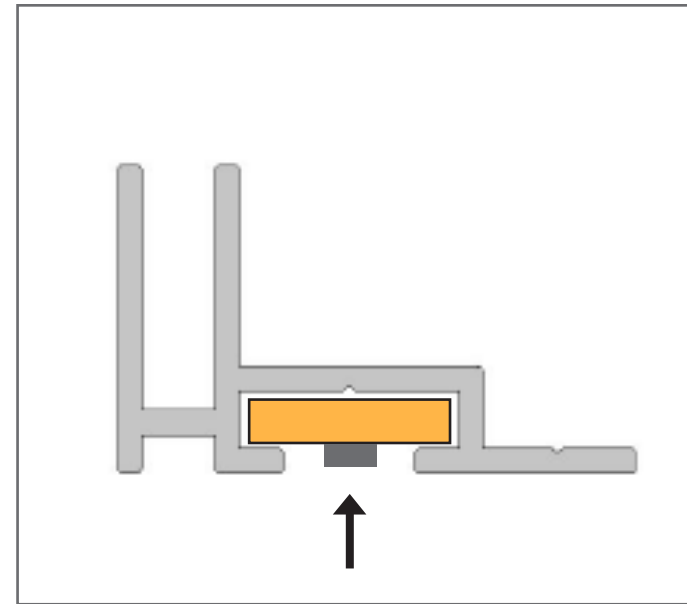
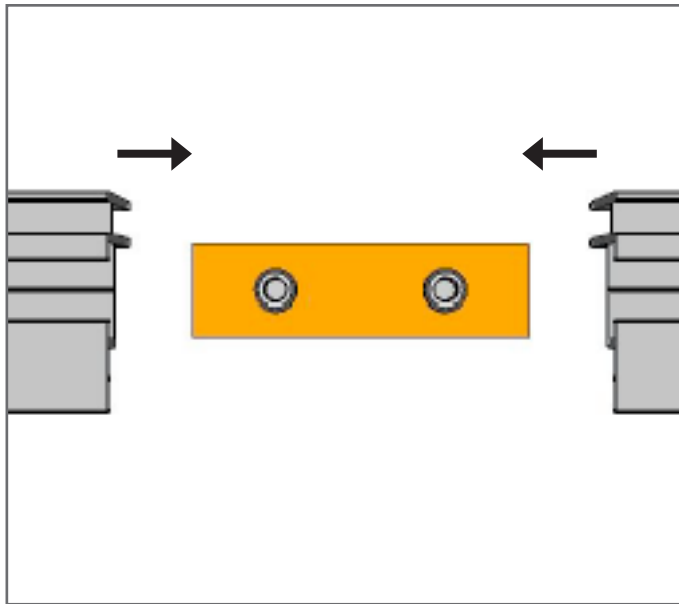


02 Corner Connectors

iMPAKT

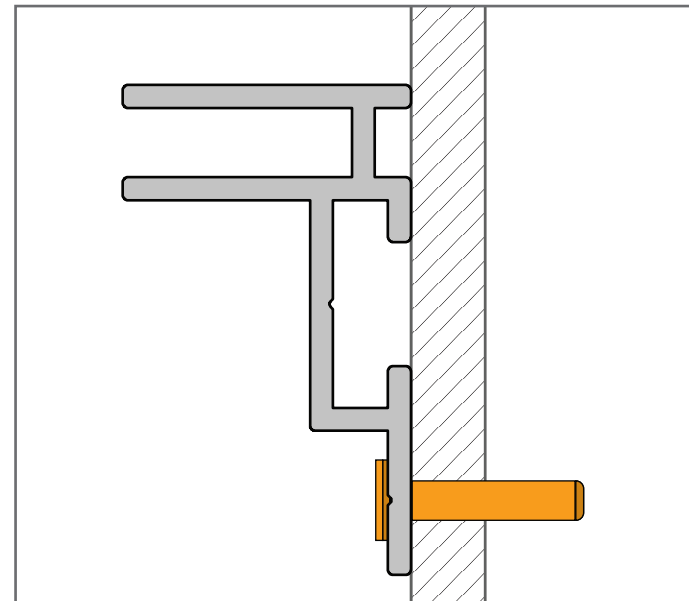
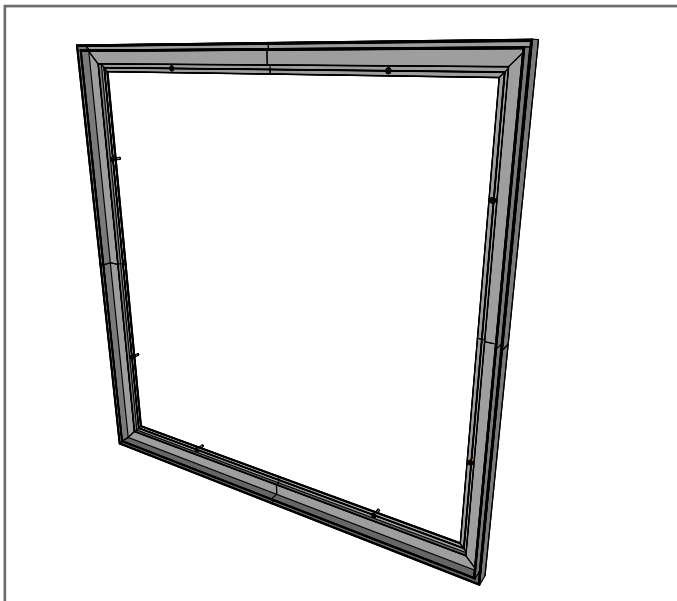
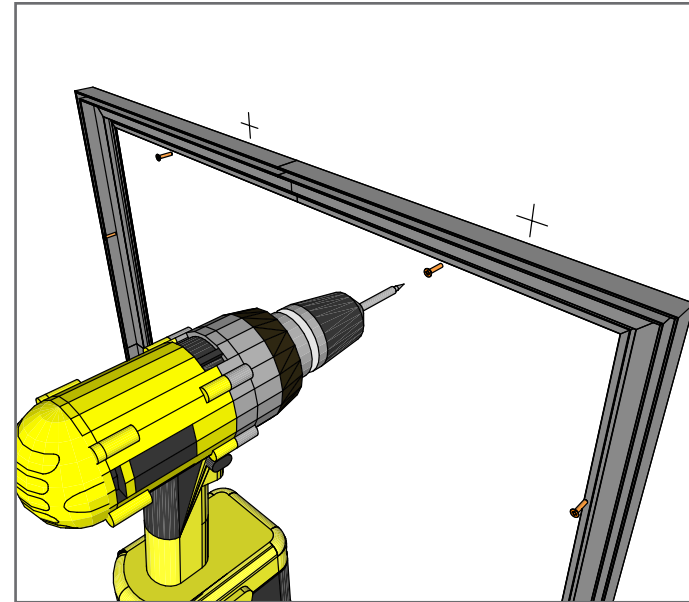
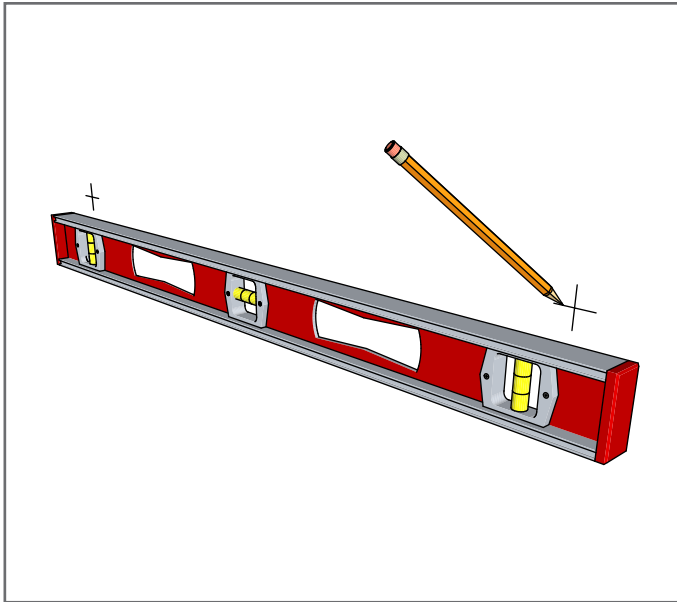


03 Straight Connectors



04 Mounting to Wall

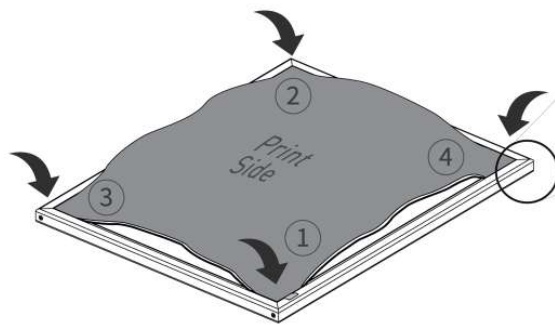
iMPAKT



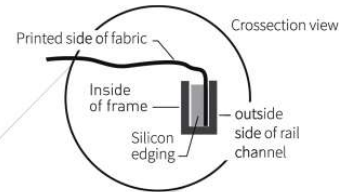
INSTALL SEG FABRIC

iMPAKT

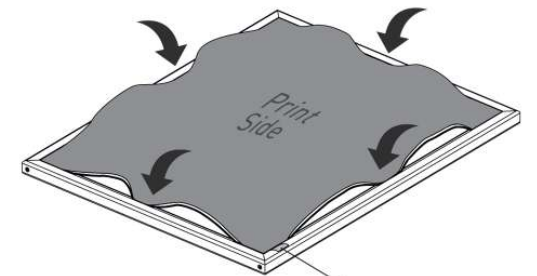
1 From front side of frame, insert fabric graphic into all 4 corners first, in diagonal order.



TIP Be sure printed side is facing out and the silicon edge is oriented as shown here.

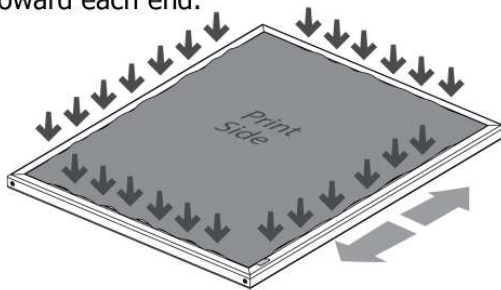


2 Insert fabric edge only at the center of each channel, pushing directly downward.



Pull-tab for removing fabric graphic, is sewn into edge and can also be tucked away.

3 Use downward pressure to insert the remaining edge, working out from the center toward each end.



4 Complete.

