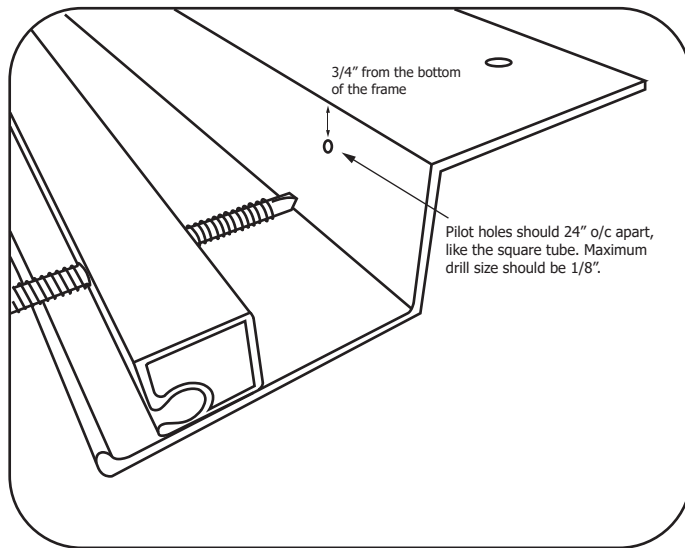


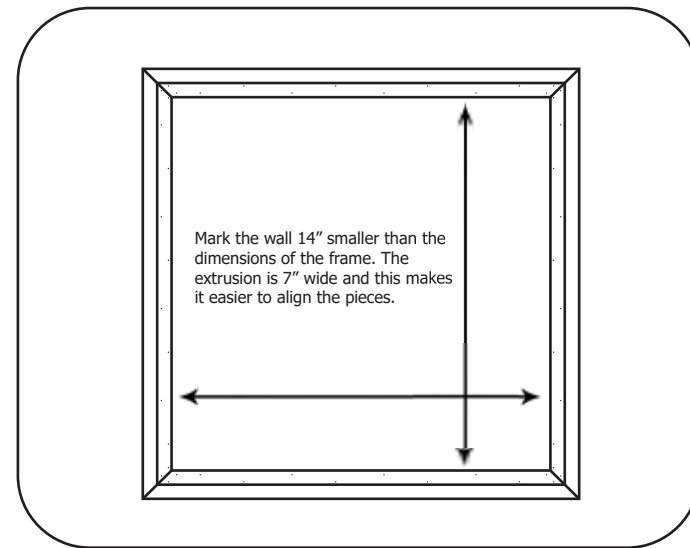
## Step 1

Drill pilot holes every 24" on the frameless extrusion before installing on the wall. Use the square tube to figure out the spacing for the holes.



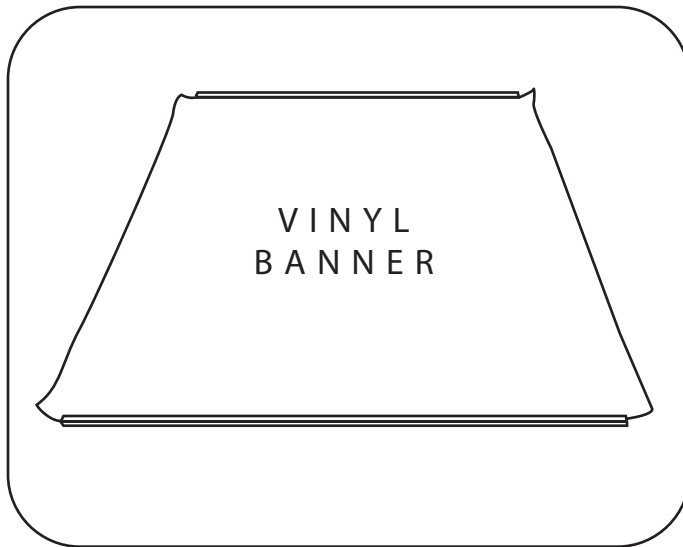
## Step 2

Install ONLY the frameless extrusion on the wall with appropriate fasteners. Leave the square extrusion for later.

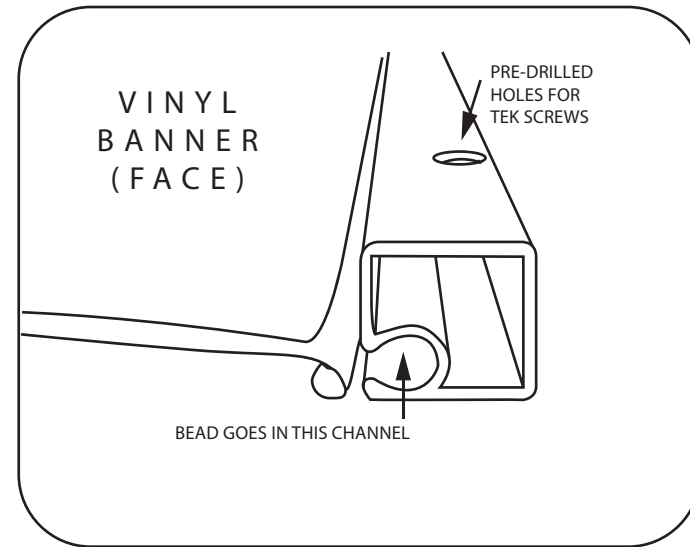


### Step 3

This is where you use the square extrusion. Open the banner on the ground face up and install the top and bottom extrusion onto the banner. Pay attention to the orientation of the square.



Center the extrusion from either end of the banner.

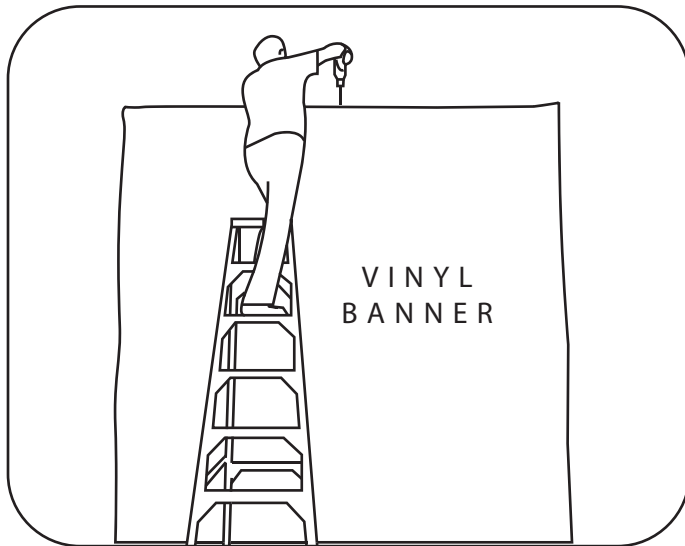


**IMPORTANT!**

This is how the square needs to be put onto the banner.

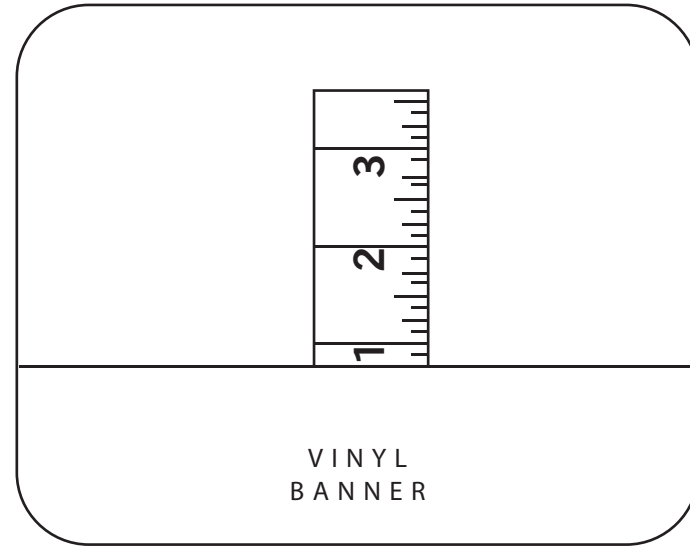
### Step 4

Fasten the top square rail to the top Frameless extrusion.



### Step 5

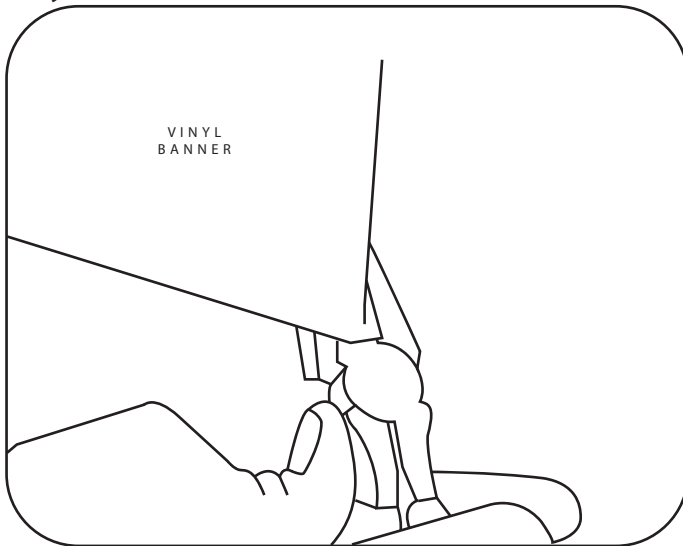
Slide the square extrusions for the sides of the banner. Tighten each side to about 1" of depth, same as the top. Then install the bottom rail and begin to tighten all the fasteners evenly.



**DO NOT COMPLETELY TIGHTEN THE TOP SCREWS.** Set it in about 1" deep.

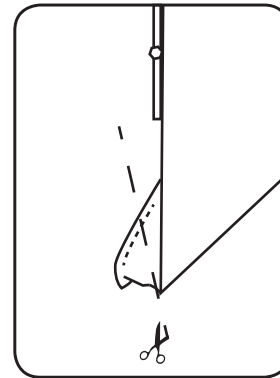
## Step 6

Here is a tip for nice flat and tight corners - Grab both layers of the extra material on the back of the frame with a pair of pliers then twist the pliers so that the material is pulled to the corner, removing any wrinkles.

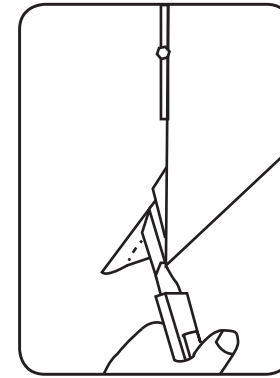


## Step 7

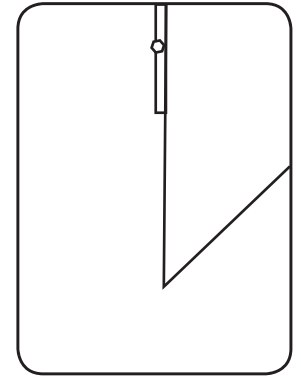
Once everything is tightened, the banner is aligned, you're happy and ready to leave, you can cut the excess material off the back of the corners. This is optional, as some installers leave them in place. Your call ;)



The un-trimmed corner



Knife - Be careful!



The trimmed corner

# NOW REJOICE!!!