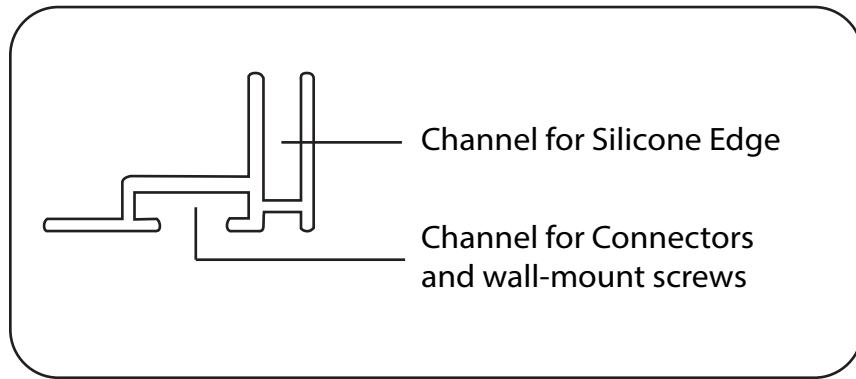
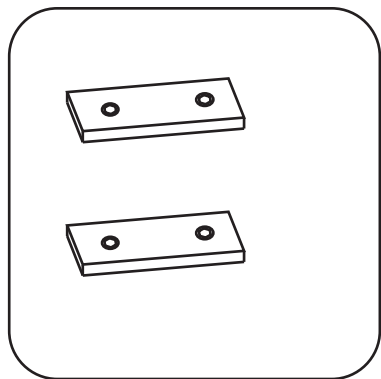


0.75 Inch SEG Fabric Frame Assembly Guide

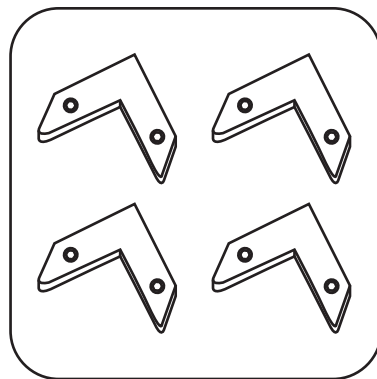
162"



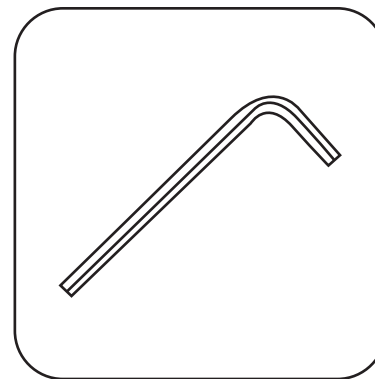
Tools/Components:



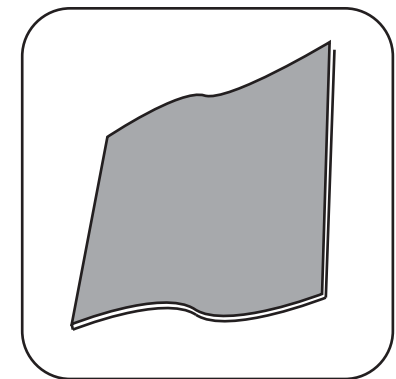
Straight Connectors x 2



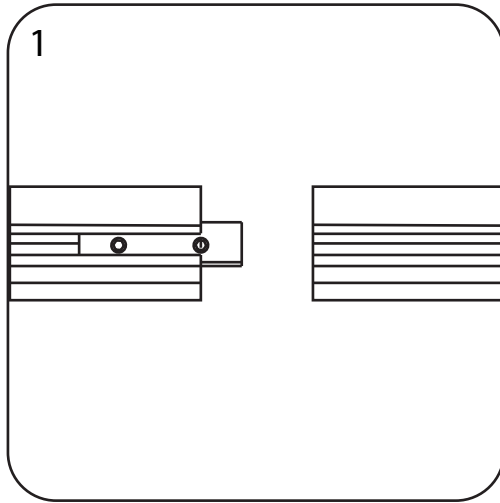
Corner Connectors x 4



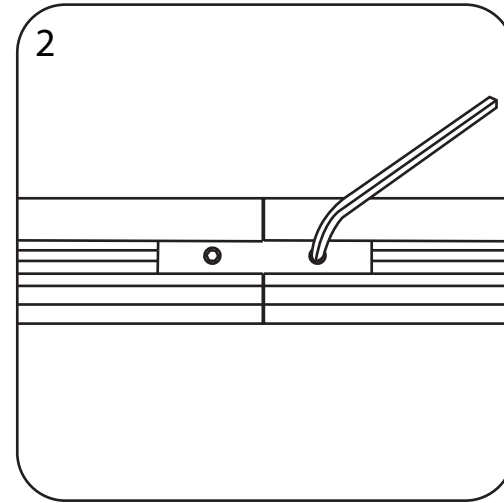
Allen Key x 1



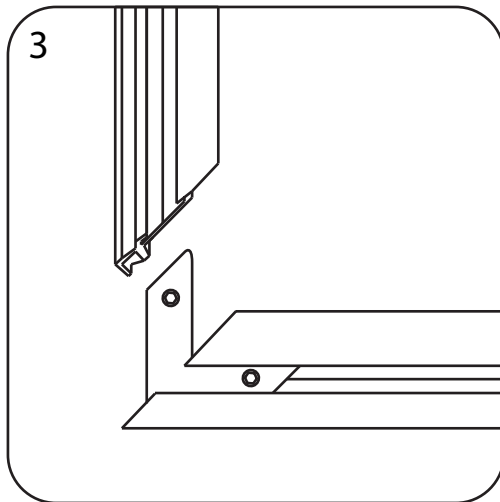
Fabric Graphic x 1



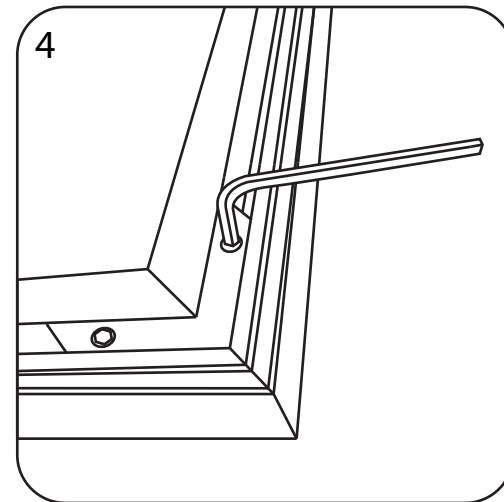
Connect the straight pieces x4



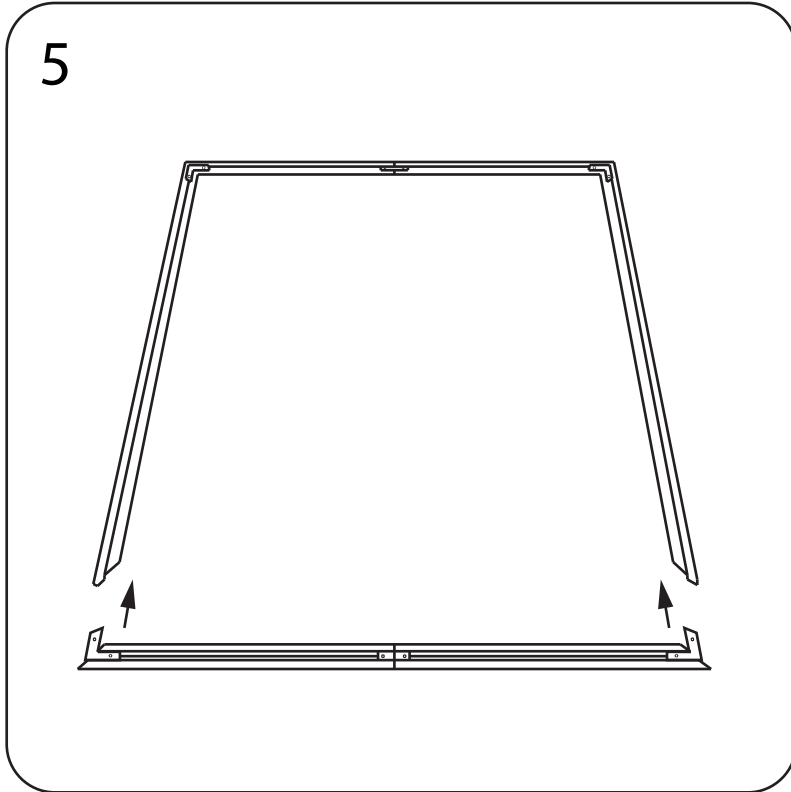
Tighten with allen key



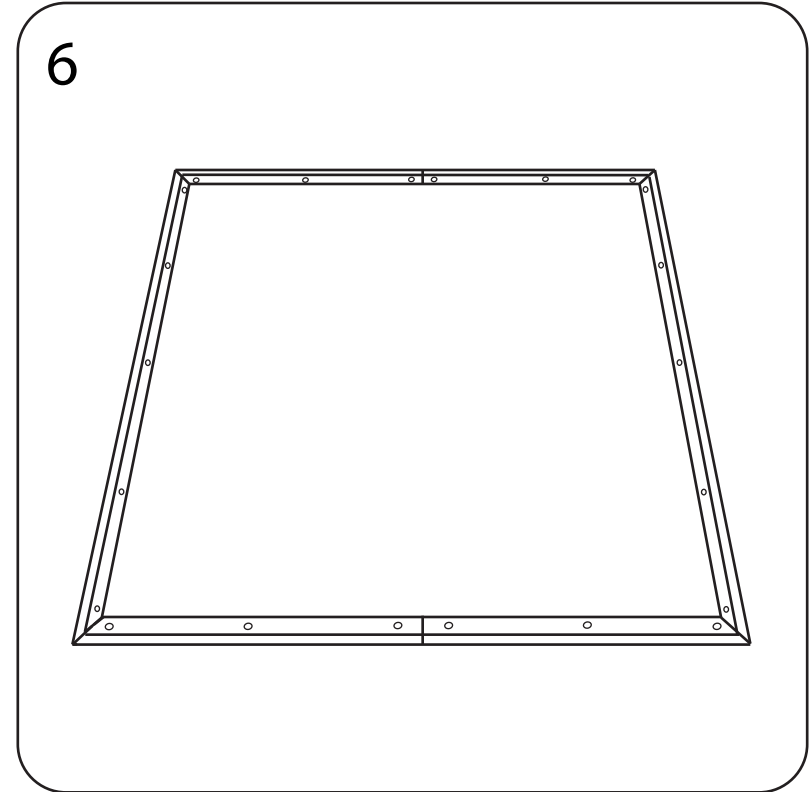
Connect the 4 Assembled pieces



Tighten with allen key



The fourth side of the frame will join as shown above

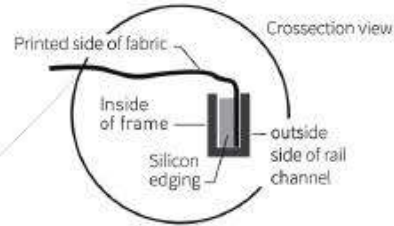


Using guide lines on the wall, flip the frame over with the channel face up, and begin to screw the top of the frame to the wall.

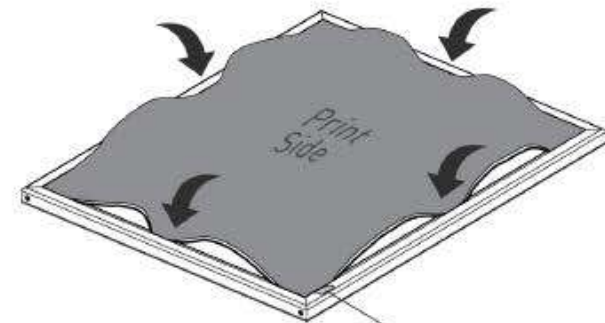
1 From front side of frame, insert fabric graphic into all 4 corners first, in diagonal order.



TIP Be sure printed side is facing out and the silicon edge is oriented as shown here.

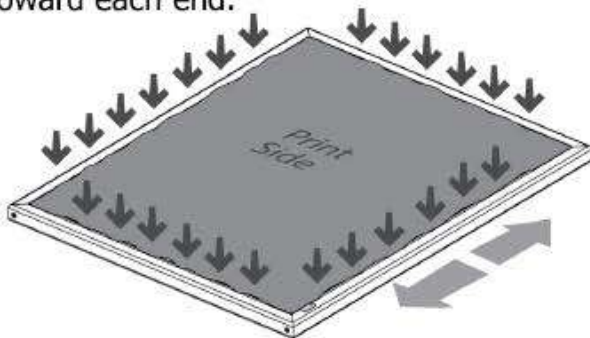


2 Insert fabric edge only at the center of each channel, pushing directly downward.

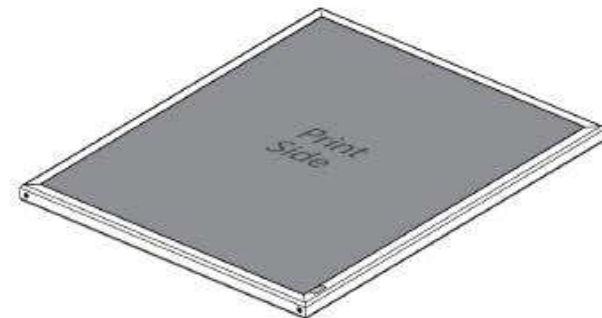


Pull-tab for removing fabric graphic, is sewn into edge and can also be tucked away.

3 Use downward pressure to insert the remaining edge, working out from the center toward each end.



4 Complete.



shōmi!

0.75 Inch SEG
Fabric Frame
Assembly Guide